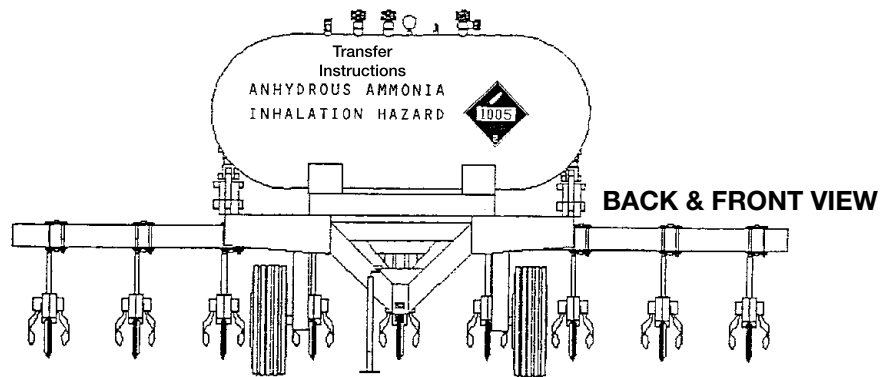
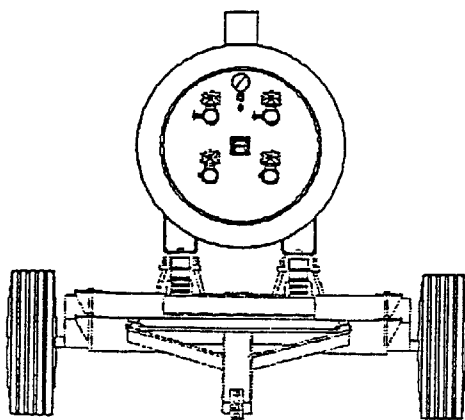
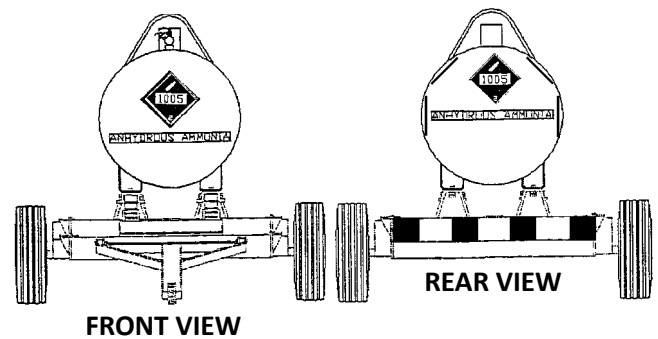
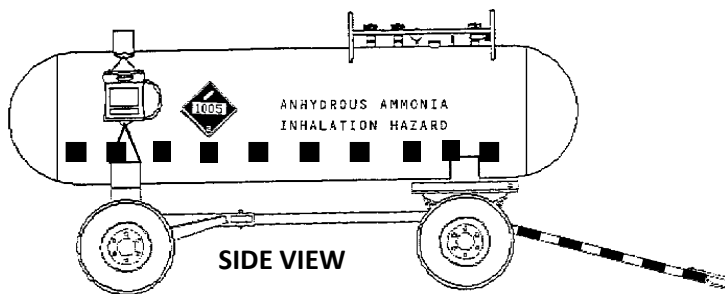


## ANHYDROUS AMMONIA Tank Marking and Placarding Requirements

### APPLICATOR AND NURSE TANKS

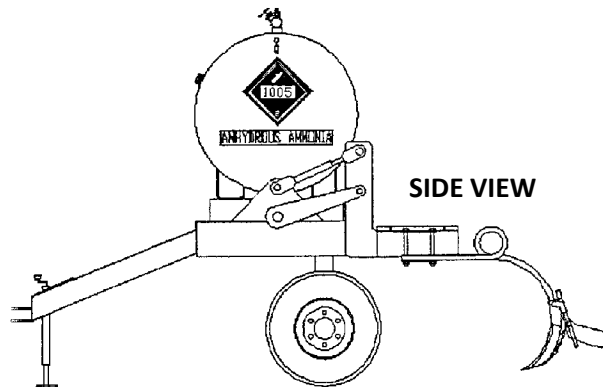
Markings, placarding, and transfer instructions must be **COMPLETE, UNFADED, AND FULLY VISIBLE** per Minnesota Rules, Part 1513.1040, Subpart 1 and Part 1513.1060 (A).

- ✓ On both ends and both sides of each tank on a trailer: "ANHYDROUS AMMONIA" in 2 inch or greater sized lettering
- ✓ On both ends and both sides of each tank on a trailer: Division 2.2 non-flammable gas placard displaying "1005" ID number
- ✓ On both sides of each tank on a trailer: "INHALATION HAZARD" in 2 inch or greater sized lettering
- ✓ Applicator tanks: Legible decal listing step-by-step transfer instructions



**Exception:**

- ✓ No markings or placarding required on one end of nurse tank with "head mount" type roll cage

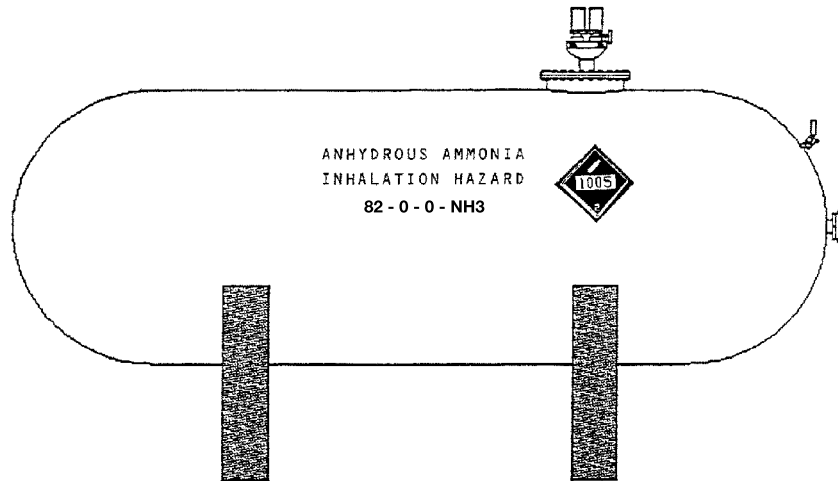


## STORAGE TANKS

Markings and placarding must be **COMPLETE, UNFADED, AND FULLY VISIBLE.**

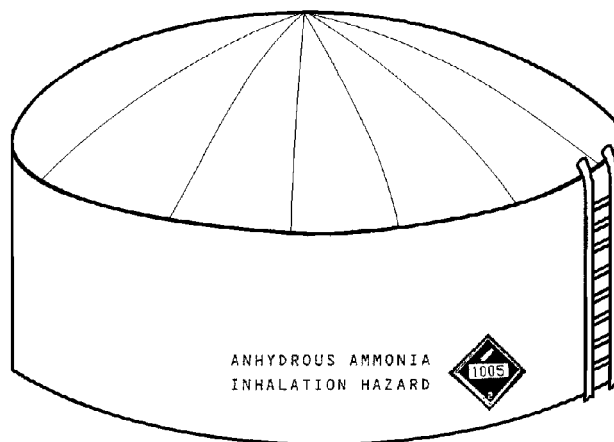
### Non-Refrigerated Storage per Minnesota Rules, Part 1513.0360

- Markings and placarding on sides of each tank or outer sides of a group of tanks.
  - ✓ “ANHYDROUS AMMONIA” and “INHALATION HAZARD” markings in sharply contrasting colors with letters NOT LESS than 4 inches high.
  - ✓ Division 2.2 non-flammable gas placards displaying “1005” ID number.
- One place on each tank: Guaranteed Analysis (i.e. 82-0-0-NH3) marking. Make sure it is clearly visible on each tank.



### Refrigerated Storage per Minnesota Rules, Part 1513.0430

- Marking and placarding on two opposite sides of each tank at eye level
  - ✓ “ANHYDROUS AMMONIA” and “INHALATION HAZARD” markings in sharply contrasting colors with letters NOT LESS than 4 inches high.
  - ✓ Division 2.2 non-flammable gas placards displaying “1005” ID number.



### Want more information or have questions:

Contact the Minnesota Department of Agriculture at 651-201-6275 or email: [Ed.Kaiser@state.mn.us](mailto:Ed.Kaiser@state.mn.us)